



US0D1056165S

(12) **United States Design Patent**
Littlefield

(10) **Patent No.:** **US D1,056,165 S**

(45) **Date of Patent:** **** Dec. 31, 2024**

(54) **COMBINATION PIPE COUPLING AND ANCHORING CLAMP**

D255,145 S * 5/1980 Nederman D23/262
D483,441 S * 12/2003 Dole D23/262
D565,707 S * 4/2008 Brockington D23/262

(Continued)

(71) Applicant: **IPEX TECHNOLOGIES INC.,**
Oakville (CA)

FOREIGN PATENT DOCUMENTS

(72) Inventor: **Jeffrey Vincent Littlefield,** Toronto
(CA)

KR 3020230005202 * 2/2023

(73) Assignee: **IPEX TECHNOLOGIES INC.,**
Mississauga (CA)

Primary Examiner — George J Ulsh
Assistant Examiner — Andrea Marie McKay

(**) Term: **15 Years**

(57) **CLAIM**

(21) Appl. No.: **29/771,804**

The ornamental design for a combination pipe coupling and anchoring clamp as shown and described.

(22) Filed: **Feb. 25, 2021**

DESCRIPTION

(30) **Foreign Application Priority Data**

Feb. 19, 2021 (CA) CA 201516

(51) **LOC (14) Cl.** **23-01**

(52) **U.S. Cl.**
USPC **D23/262**

(58) **Field of Classification Search**
USPC D23/259, 262, 265, 266
CPC F16L 25/12; F16L 21/065; F16L 21/002;
F16L 3/1091; F16L 3/1016; E04D
2013/084; E04D 2013/0846

See application file for complete search history.

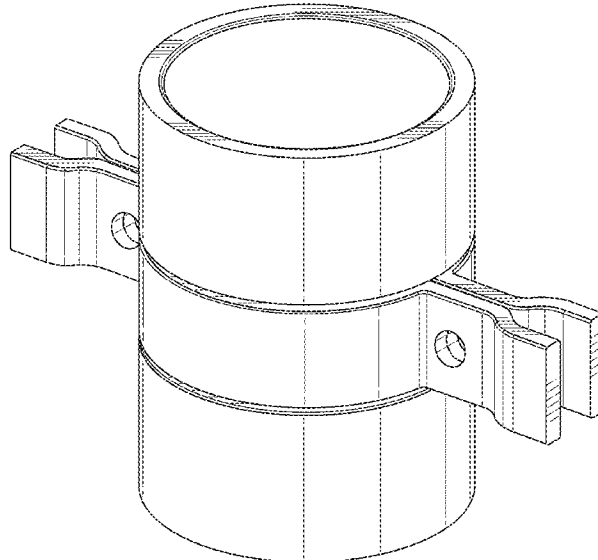
FIG. 1 is a side front perspective view of a combination pipe coupling and anchoring clamp showing the new design; FIG. 2 is a front elevational view thereof with the rear elevational view being a mirror image; FIG. 3 is a top plan view thereof with the bottom plan view being a mirror image; FIG. 4 is a first side view thereof with the second side view being a mirror image; FIG. 5 is a front side perspective view of the combination pipe coupling and anchoring clamp of FIG. 1 shown in use fastened to and around unclaimed environmental structures; FIG. 6 is a front side perspective view of the combination pipe coupling and anchoring clamp of FIG. 1 shown in use fastened to and around unclaimed environmental structures; and, FIG. 7 is a front side perspective exploded view of the combination pipe coupling and anchoring clamp of FIG. 1. The broken lines depict portions of the combination pipe coupling and anchoring system that form no part of the claim. Additional broken lines in FIGS. 5 and 6 depict environmental subject matter that forms no part of the claimed design.

(56) **References Cited**

U.S. PATENT DOCUMENTS

1,813,528 A 3/1925 Clark
1,868,217 A 6/1930 Mueller
1,926,752 A 7/1932 Mueller
1,936,852 A 7/1932 Mueller
2,809,940 A 7/1935 Brown
3,194,590 A 7/1965 Cook
3,788,677 A * 1/1974 Stade F01N 13/1805
285/410

1 Claim, 6 Drawing Sheets



(56)

References Cited

U.S. PATENT DOCUMENTS

D589,126 S * 3/2009 Concannon D23/262
D616,967 S * 6/2010 Madara D23/262
D691,963 S * 10/2013 Smith D13/155
D724,185 S * 3/2015 Chiproot F16L 21/022
D23/262
D745,116 S * 12/2015 Lehmann D23/262
D835,243 S * 12/2018 Chiproot D23/262
D994,091 S * 8/2023 Arment D23/262
11,885,447 B2 * 1/2024 Littlefield F16L 25/12
2011/0031737 A1 * 2/2011 Krausz F16L 21/022
285/15
2023/0304606 A1 * 9/2023 Littlefield F16L 25/12

* cited by examiner

FIG. 1

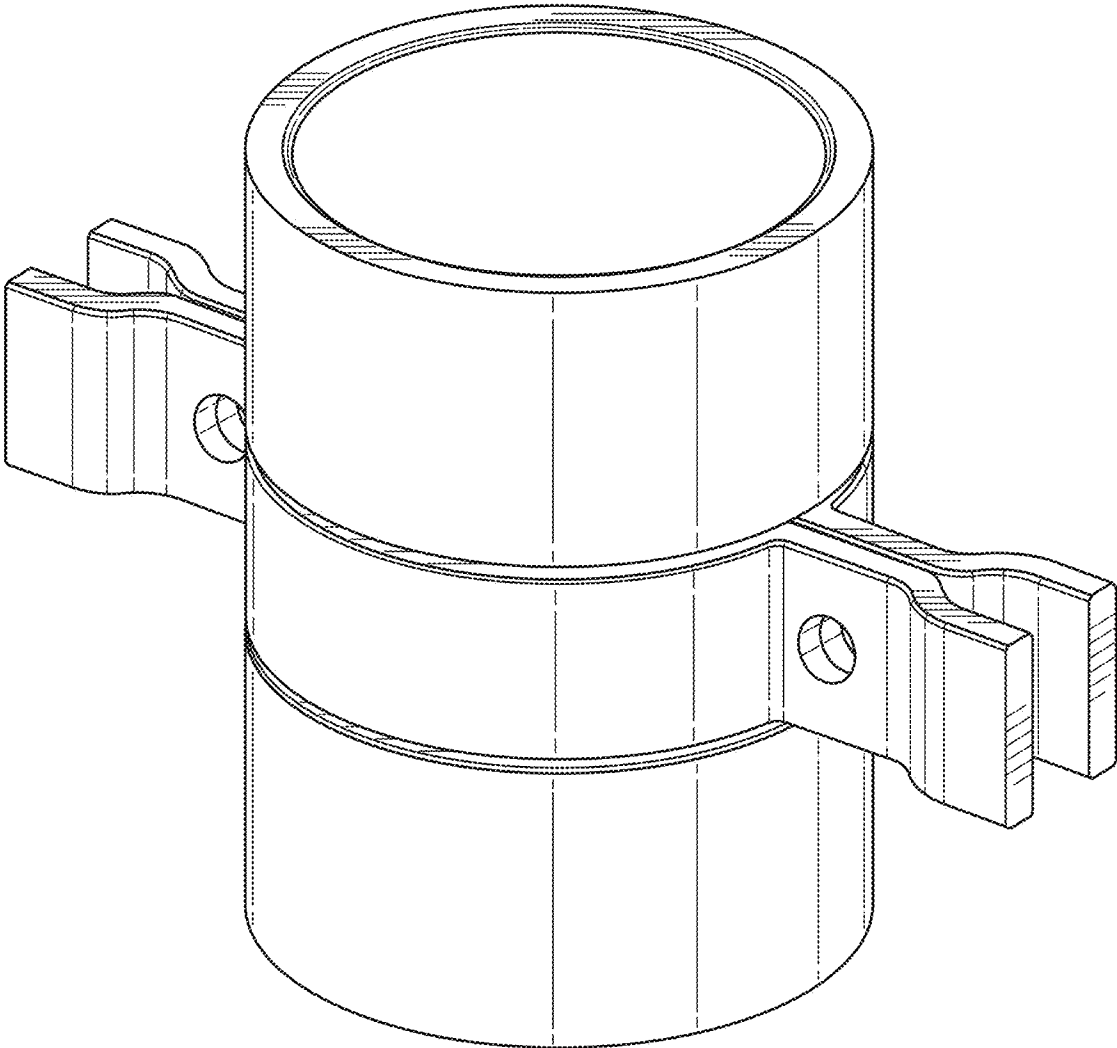


FIG. 2

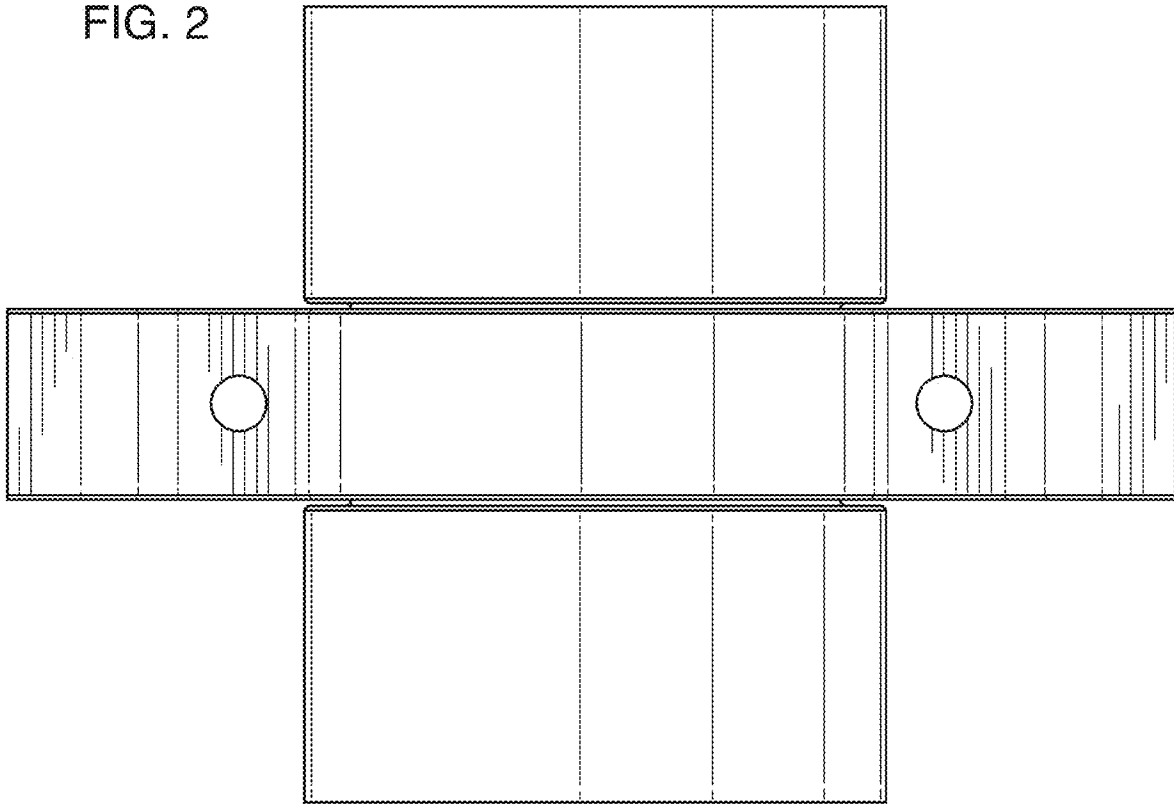


FIG. 3

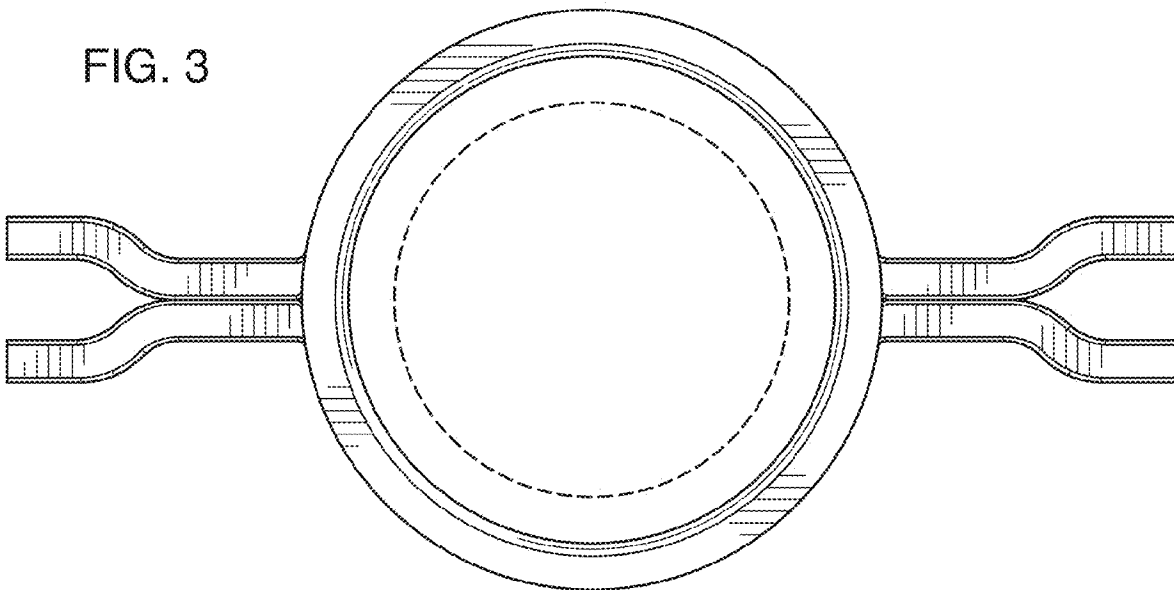


FIG. 4

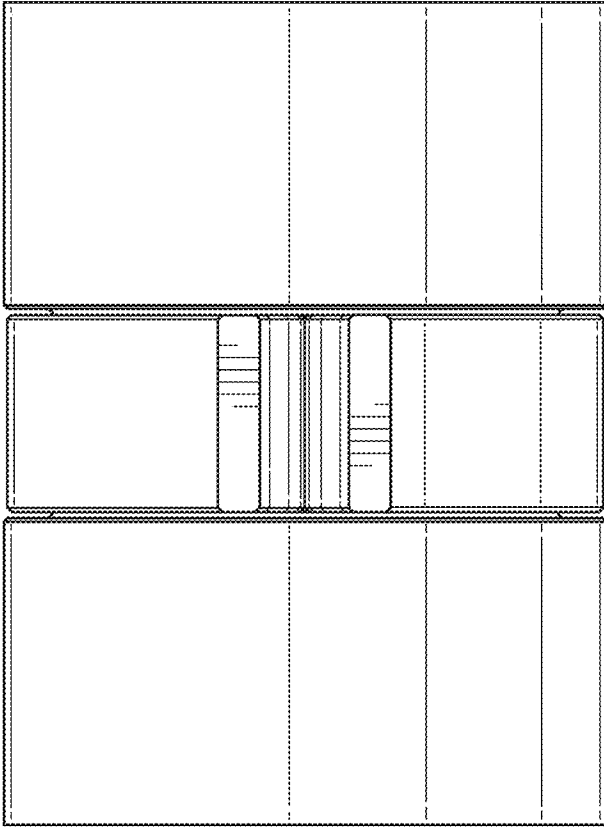


FIG. 5

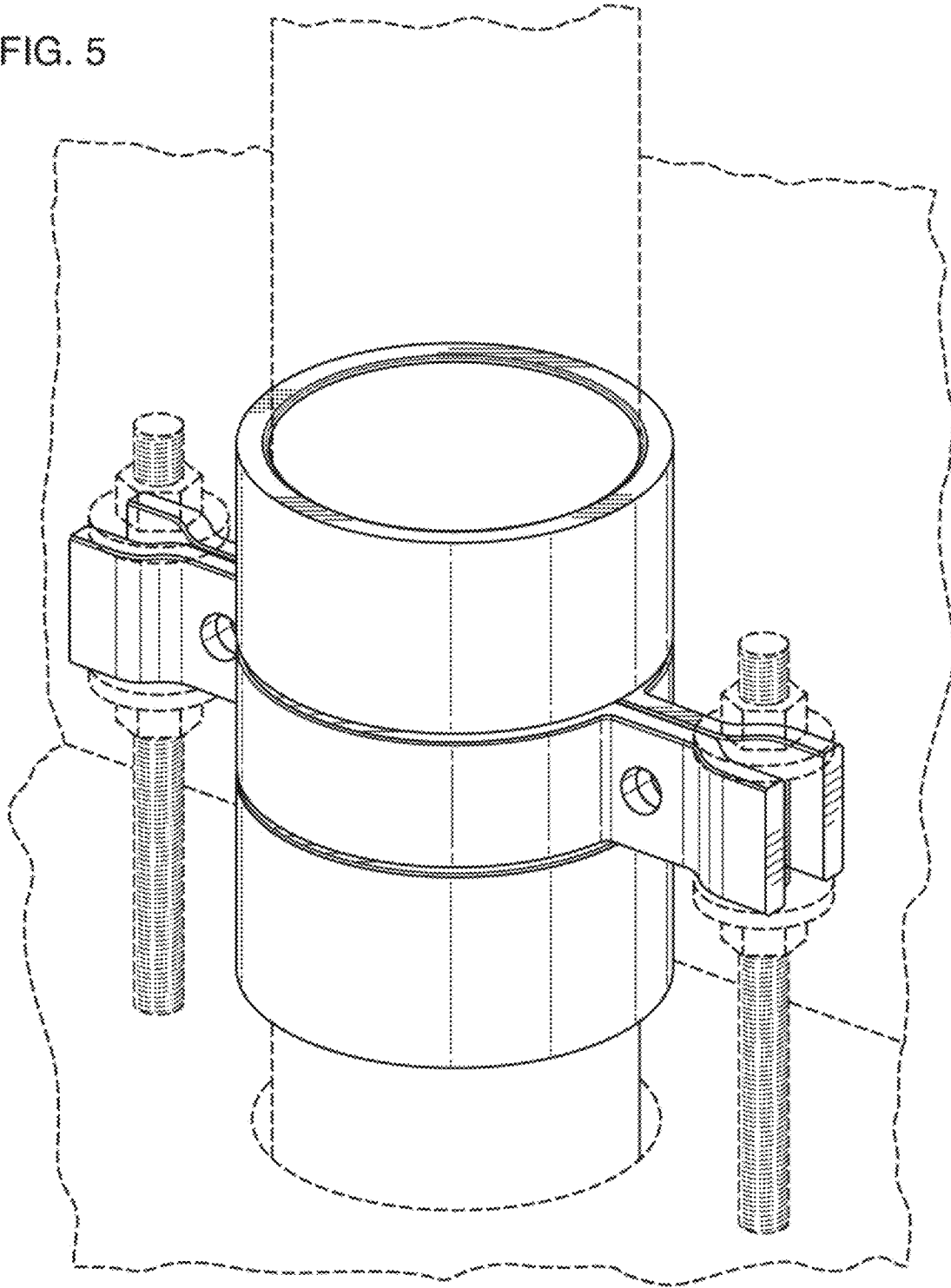
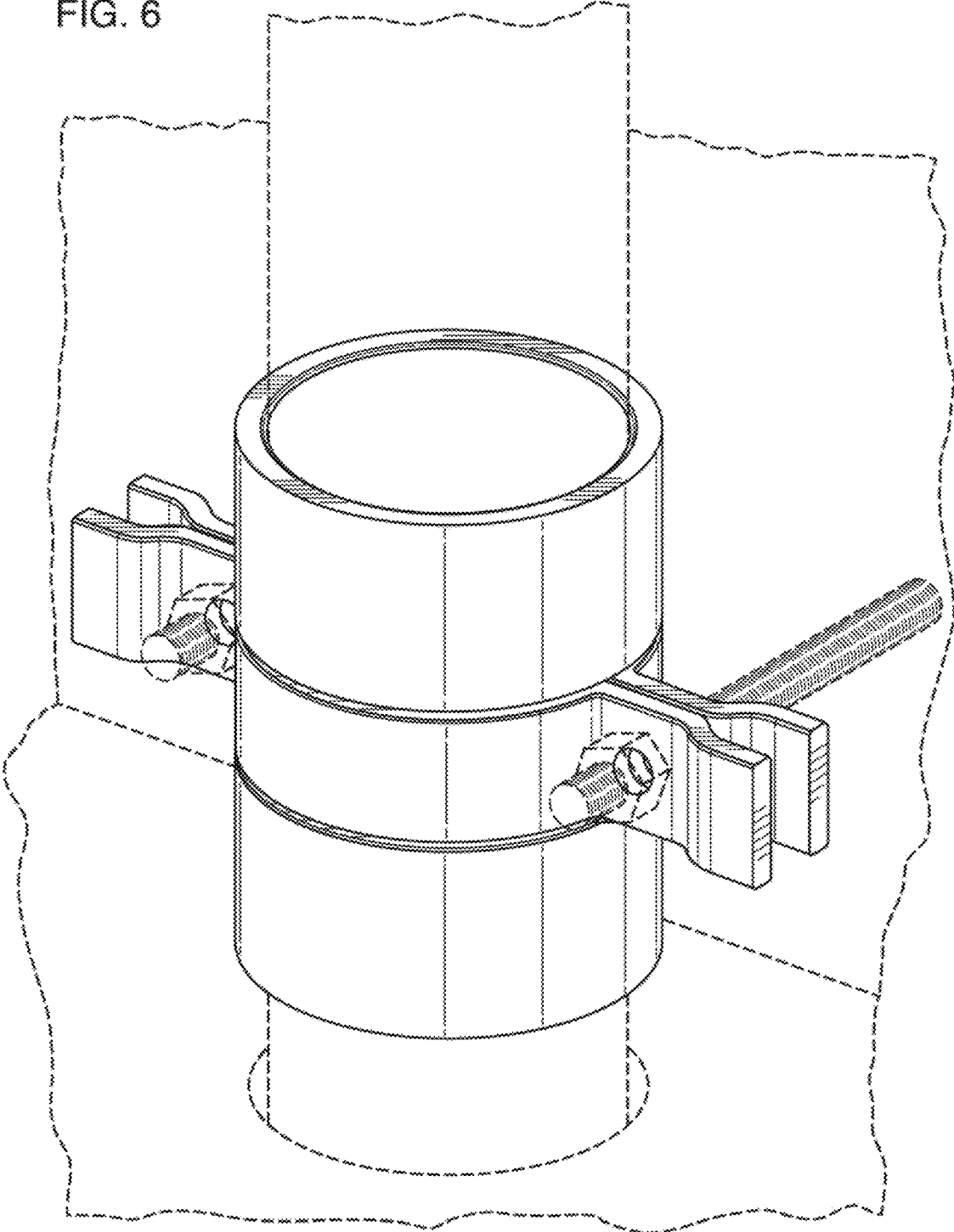


FIG. 6



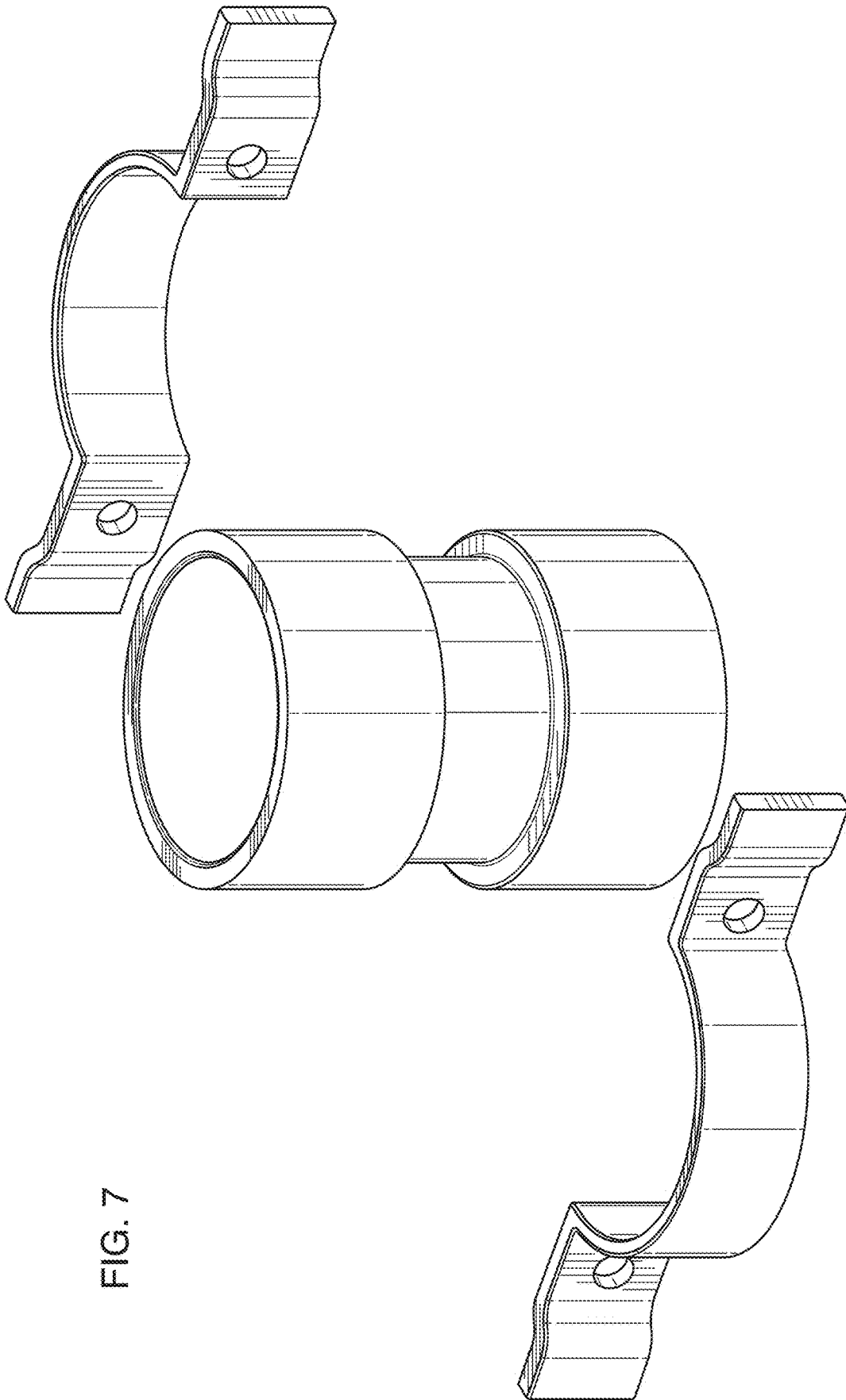


FIG. 7