



US0D1058321S

(12) **United States Design Patent**
Taylor

(10) **Patent No.:** **US D1,058,321 S**

(45) **Date of Patent:** **** Jan. 21, 2025**

(54) **SOIL REINFORCING STABILIZER**

FOREIGN PATENT DOCUMENTS

(71) Applicant: **THE TAYLOR IP GROUP LLC**,
Colleyville, TX (US)

KR 301120283.0000 * 7/2021

(72) Inventor: **Thomas P. Taylor**, Colleyville, TX
(US)

OTHER PUBLICATIONS

(73) Assignee: **THE TAYLOR IP GROUP LLC**,
Colleyville, TX (US)

“Verify Performance of Strip Reinforcements” Jun. 19, 2016, Ertesting, site visited Nov. 7, 2024: <https://www.eresting.com/projects/mechanically-stabilized-earth/verify-performance-of-strip-reinforcements> (Year: 2016).*

(**) Term: **15 Years**

(Continued)

(21) Appl. No.: **29/903,052**

Primary Examiner — Jack Reickel

(22) Filed: **Sep. 19, 2023**

Assistant Examiner — Sydney M Evans

Related U.S. Application Data

(74) *Attorney, Agent, or Firm* — Andrew F. Young;

(63) Continuation-in-part of application No. 29/806,399,
filed on Sep. 2, 2021.

NOLTE LACKENBACH SIEGEL

(51) **LOC (15) Cl.** **08-05**

(57) **CLAIM**

(52) **U.S. Cl.**

The ornamental design for a soil reinforcing stabilizer, as shown and described.

USPC **D8/354**; D8/1; D25/164

(58) **Field of Classification Search**

USPC D8/1, 14, 16, 349, 354, 373, 376, 380;
D15/21; D25/164, 199

CPC A01G 9/28; A47H 1/122; B28B 23/005;
B66C 1/666; E02D 29/0225; E02D
29/0233; E02D 29/0241; E02D 29/025;
E02D 29/0266; E02D 29/02; E04B
1/4178; E04B 1/4185; E04C 5/012; E04C
5/03; E04F 13/04; E04F 13/06; E04F
13/068; E04F 13/0803; E04G 21/142

See application file for complete search history.

DESCRIPTION

FIG. 1 is a front, top, right perspective view of a soil reinforcing stabilizer according to the present invention. FIG. 2 is a rear, bottom, left perspective view of thereof. FIG. 3 is a left side view thereof. FIG. 4 is a right side view thereof. FIG. 5 is a front elevation view thereof. FIG. 6 is a rear elevation view thereof. FIG. 7 is a top plan view thereof; and, FIG. 8 is a bottom plan view thereof.

The dot-dash broken lines define the bounds of the claimed design and form no part thereof. The evenly dashed broken line showing of the soil reinforcing stabilizer is for the purpose of illustrating portions of the article and forms no part of the claimed design.

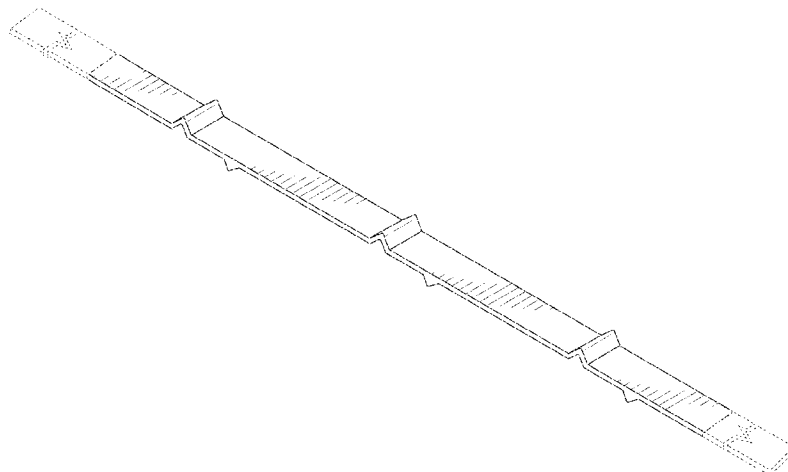
(56) **References Cited**

U.S. PATENT DOCUMENTS

4,116,010 A * 9/1978 Vidal E02D 29/0241
405/262
D268,344 S * 3/1983 Ronck D15/29
4,710,062 A * 12/1987 Vidal E02D 29/0225
405/262
5,033,912 A * 7/1991 Vidal E02D 29/0241
405/262

(Continued)

1 Claim, 5 Drawing Sheets



(56)

References Cited

U.S. PATENT DOCUMENTS

5,169,266 A * 12/1992 Sala C23F 13/02
 405/262
 D417,389 S * 12/1999 Rhoads D8/389
 D451,785 S * 12/2001 Chaney D8/354
 D465,992 S * 11/2002 Sarig E04D 13/1656
 D8/354
 D495,567 S * 9/2004 Gontar B25D 3/00
 D8/1
 D540,657 S * 4/2007 Hansort D8/354
 D554,957 S * 11/2007 Harvey D8/1
 D593,852 S * 6/2009 Hoebeek D8/394
 D599,630 S * 9/2009 Taylor D8/1
 D620,622 S * 7/2010 Steel D25/164
 D686,486 S * 7/2013 Densmore D8/349
 8,789,805 B2 * 7/2014 Piggott F28F 9/002
 248/560
 D717,156 S * 11/2014 Kaihara D8/354
 D841,833 S * 2/2019 Apanovich D25/199
 D880,996 S * 4/2020 Cramer D8/384
 10,889,994 B1 * 1/2021 Schneider E04F 15/02044

D910,422 S * 2/2021 Lee D8/354
 D926,556 S * 8/2021 Claudin D8/354
 11,519,151 B2 * 12/2022 Taylor E02D 29/0233
 D1,000,644 S * 10/2023 Hu D25/164
 2021/0332549 A1 * 10/2021 Taylor E02D 29/0241
 2022/0064895 A1 * 3/2022 Taylor B21D 53/00

OTHER PUBLICATIONS

“Mechanically Stabilized Earth Retaining Walls” Aug. 8, 2020, Reinforced Earth, site visited Oct. 24, 2024: <https://reinforcedearth.com/products/retaining-walls/mechanically-stabilized-earth-mse-retaining-walls/> (Year: 2020).*

“Laboratory large-scale pullout investigation of a new reinforcement of composite geosynthetic strip” Dec. 18, 2021, Science Direct, site visited Oct. 24, 2024: <https://www.sciencedirect.com/science/article/pii/S1674775521000755> (Year: 2021).*

“Numerical Study of the Behavior of Back-to-Back Mechanically Stabilized Earth Walls” Apr. 19, 2021, Semantic Scholar, site visited Nov. 7, 2024: <https://pdfs.semanticscholar.org/4f8c/2727c06ead48d197885bd31c707194a51978.pdf> (Year: 2021).*

* cited by examiner

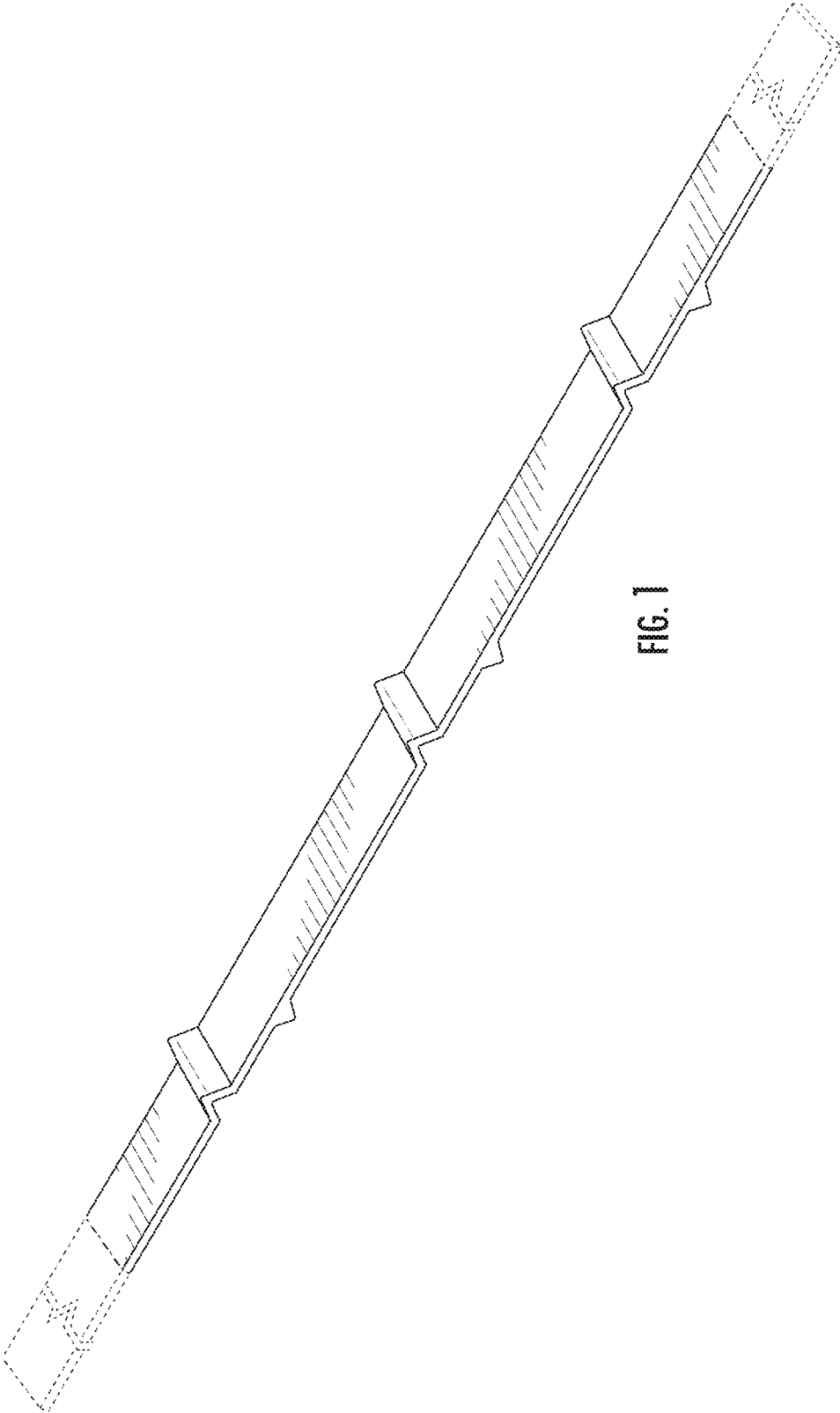


FIG. 1

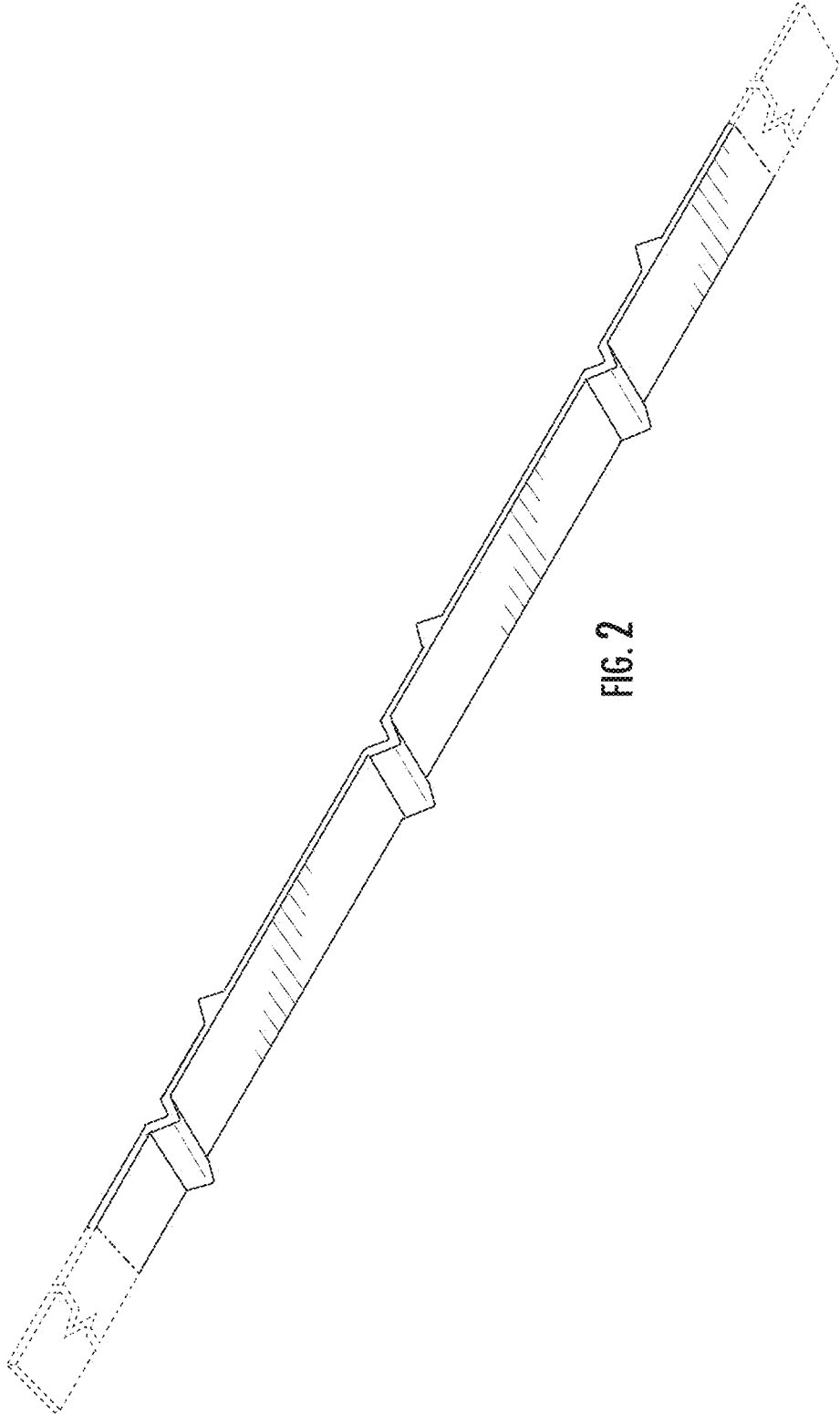


FIG. 2

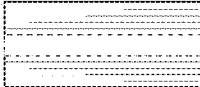


FIG. 3



FIG. 4

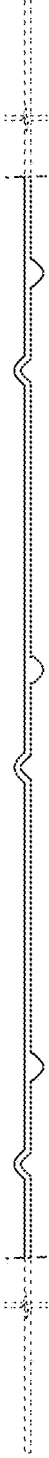


FIG. 5

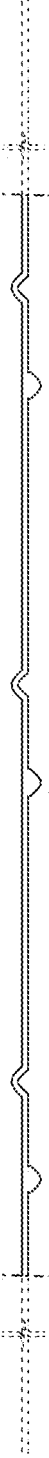


FIG. 6

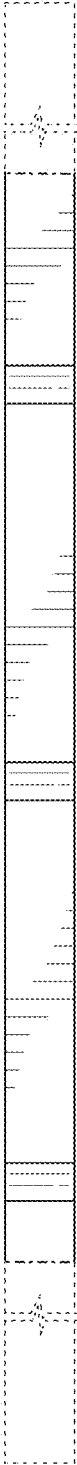


FIG. 7

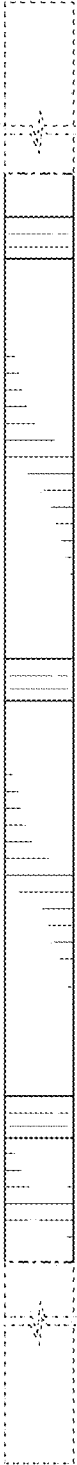


FIG. 8