

Robotic Desludging of Lined Leachate Lagoons



Catfish Mini Dredgers



Lined Landfill Leachate Lagoons



Catfish™ Mini Dredgers

- Catfish™ mini dredgers are compact, robust and easily transportable dredges.
- Catfish is ideal for cleaning tailings dams, sludge ponds and waste water ponds. The Catfish is readily transportable between job, being less than 2 tons and capable of being placed in a 20 foot container or on a std flat bed track.
- Easy transportability enables dam maintenance to be undertaken without decommissioning or dewatering the dam to remove material such as silt, sludge or tailings to return the dam to its original design specification and capacity.

The Catfish mini-dredger has liner protection wheels fitted to the cutter suction head thus preventing damage to the HDPE liner

HDPE Liner





Liner Protection Mechanism – Rubber Guide Wheels

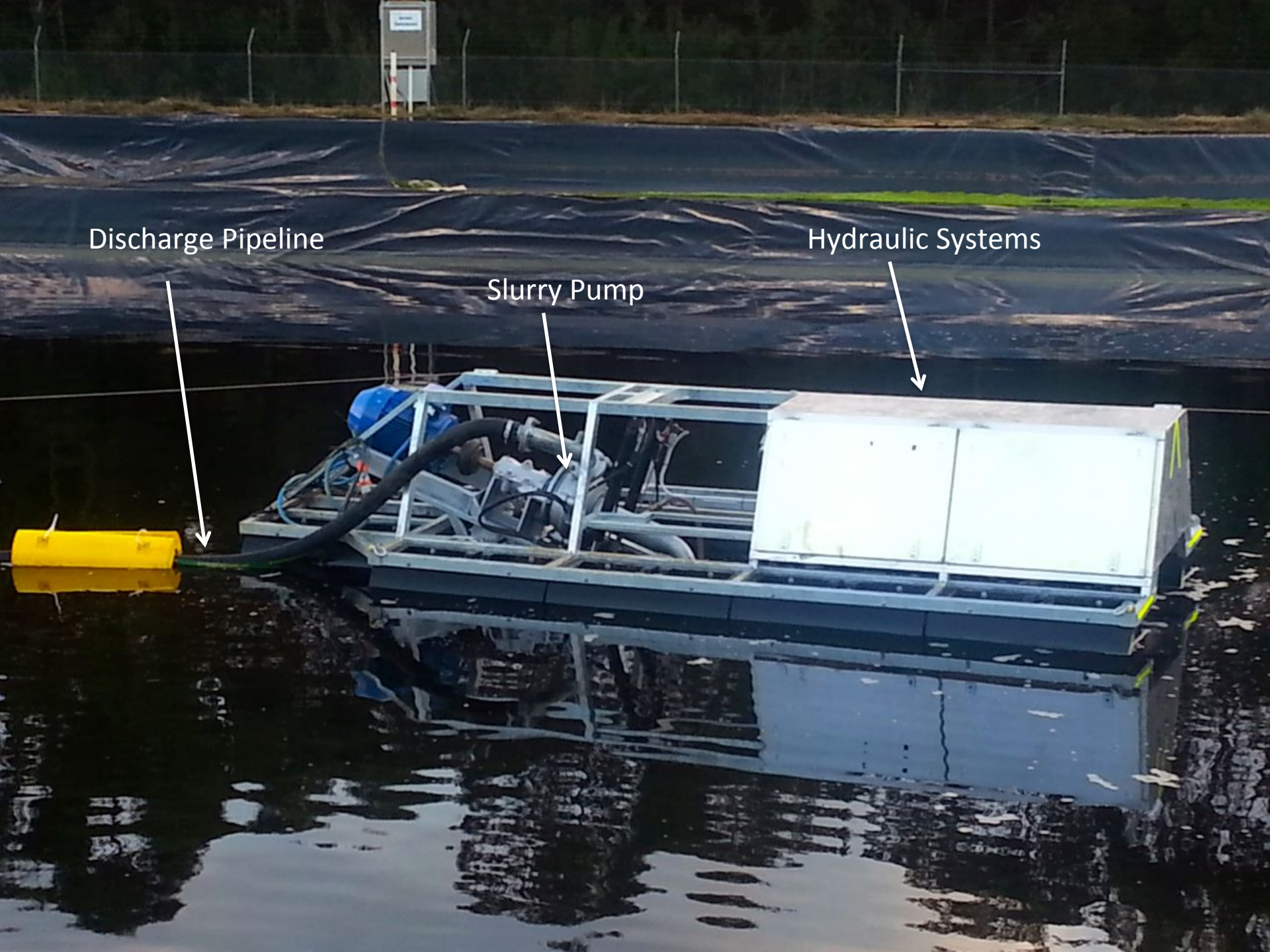
The Catfish mini-dredger is operated remotely from shore thus avoiding any OH&S issues



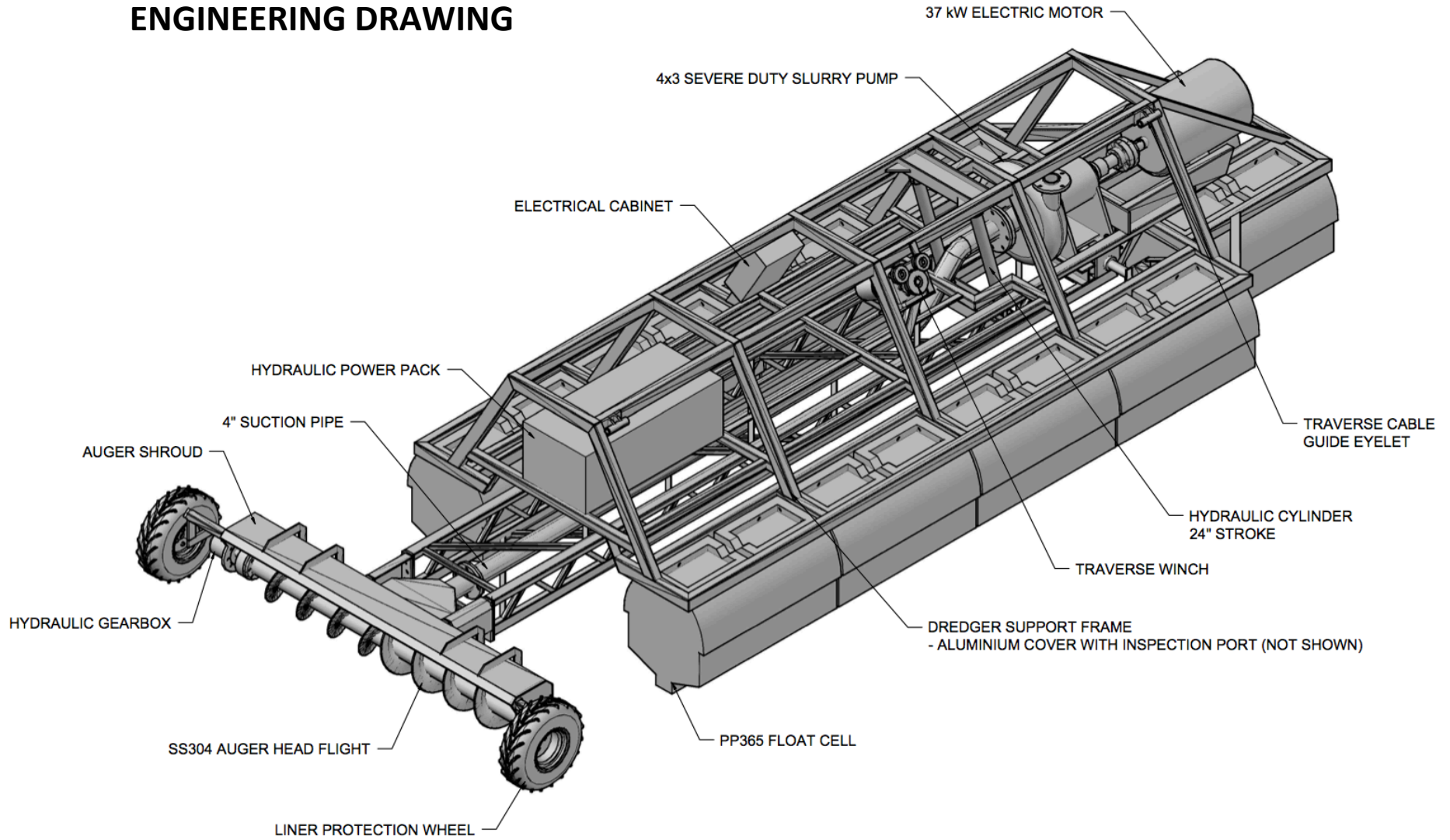
Discharge Pipeline

Hydraulic Systems

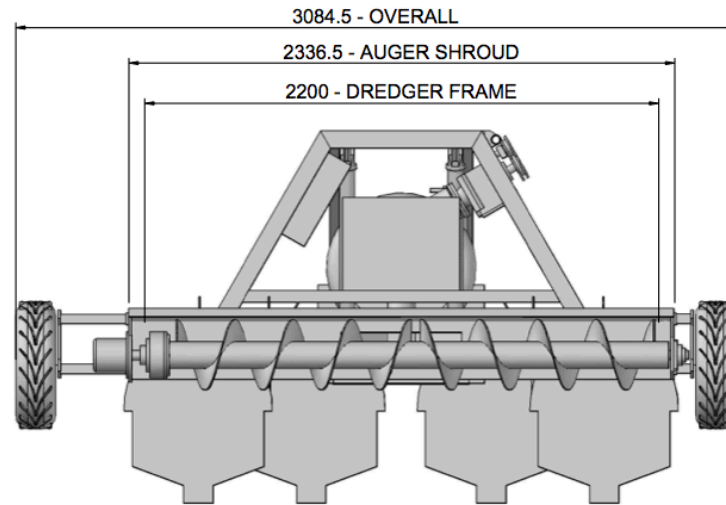
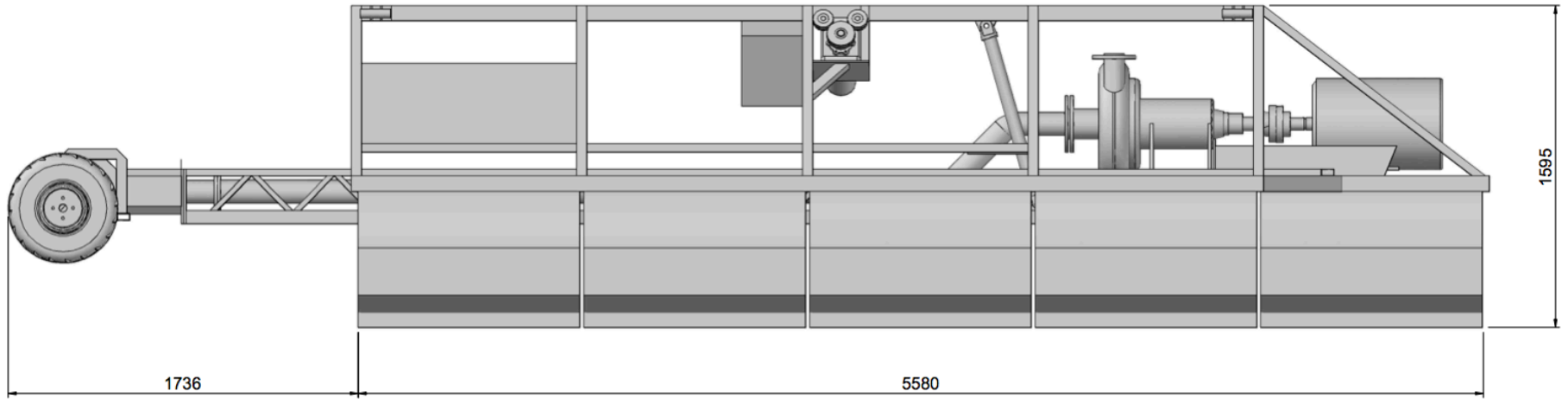
Slurry Pump



ENGINEERING DRAWING



DIMENSIONS





Made in Australia



<http://www.minidredgers.com.au>